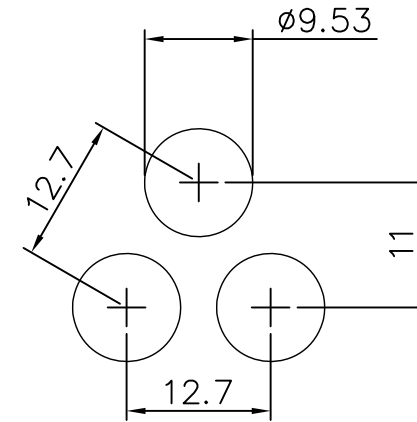
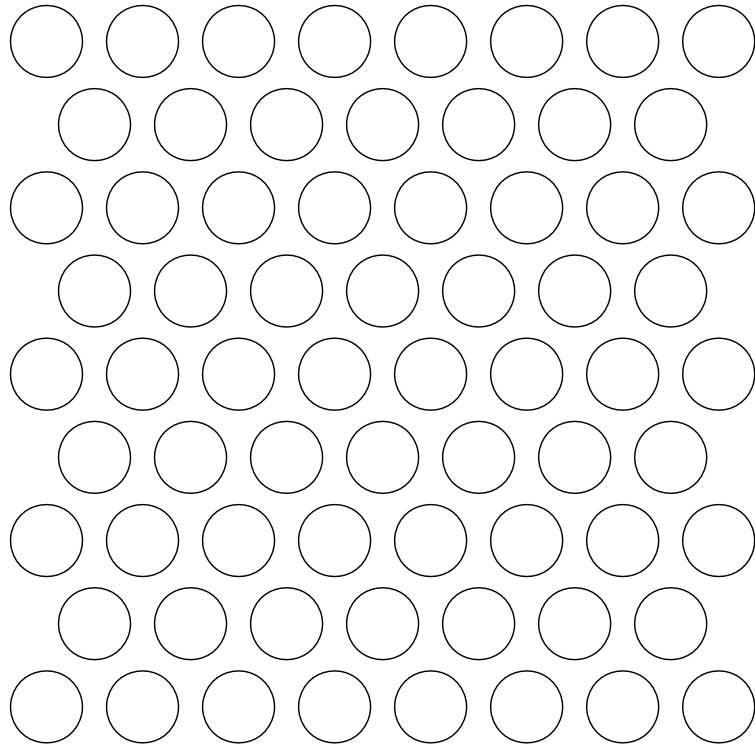


Perforation shown actual size (when printed at A4)



Enlarged Detail

PERF CODE: UM-P-951251
PATTERN: ROUND STAGGERED
HOLE SIZE: 9.53 MM ROUND
PITCH: 12.7
OPEN AREA: 51%



URBAN Metalwork + Design Studio - Aust
6 Kambouris Crt, Corio, VIC, 3214
P | +61 432 590 125
E | info@urbanmetalwork.com.au

www.urbanmetalwork.com.au