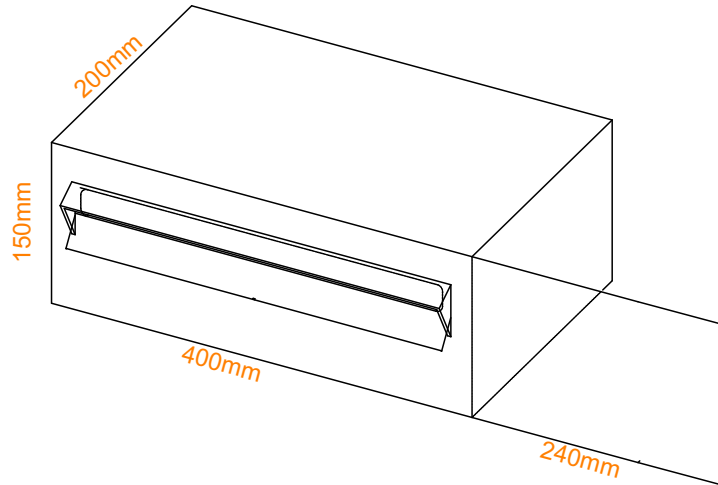
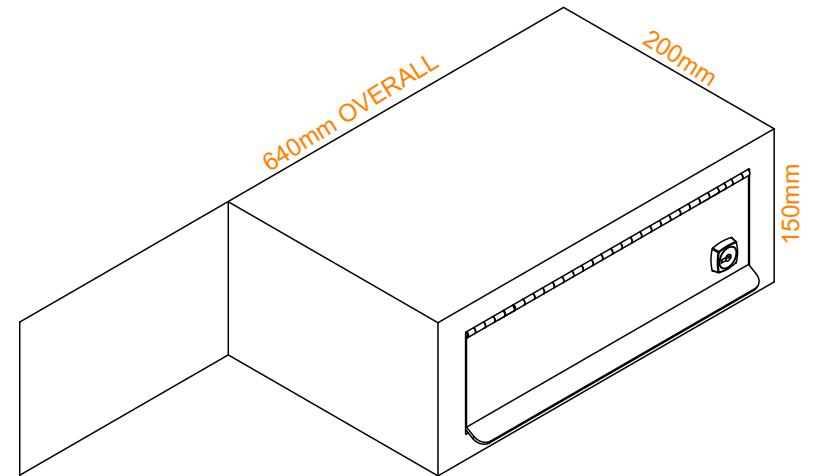


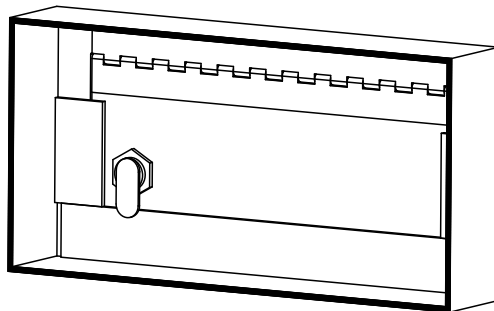
×FRONT VIEW×



×REAR VIEW×



×TYPICAL LOCK MECHANISM×



×ALL DETAILS ARE TYPICAL
 ×LOCK LOCATION / POSITION,
 SUBJECT TO CHANGE
 ×FOR ANY SPECIFIC DETAILS,
 OR CRITICAL REQUIREMENTS,
 PLEASE CONTACT URBAN METALWORK



Urban Metalwork + Design Studio – Australia
 179 Station St, Corio, VIC, 3214
 M | +61 432 590 125
 E | info@urbanmetalwork.com.au
 W | www.urbanmetalwork.com.au

×ALL CORTEN
 ×3mm THICK
 ×DIMENSIONS AS PER DWGS
 ×FINISH - NATURAL

CUSTOMER & JOB
 WIDE MAILBOX - A4
 - RHS FLANGED

EST / INV No. N/A

DRAWING / ITEM No.

N/A

CUSTOMER SIGNATURE OR INITIALS FOR APPROVAL OF FABRICATION

DATE: 2023

DRAWN: JC

SCALE: NTS

PAGE 1 OF 1