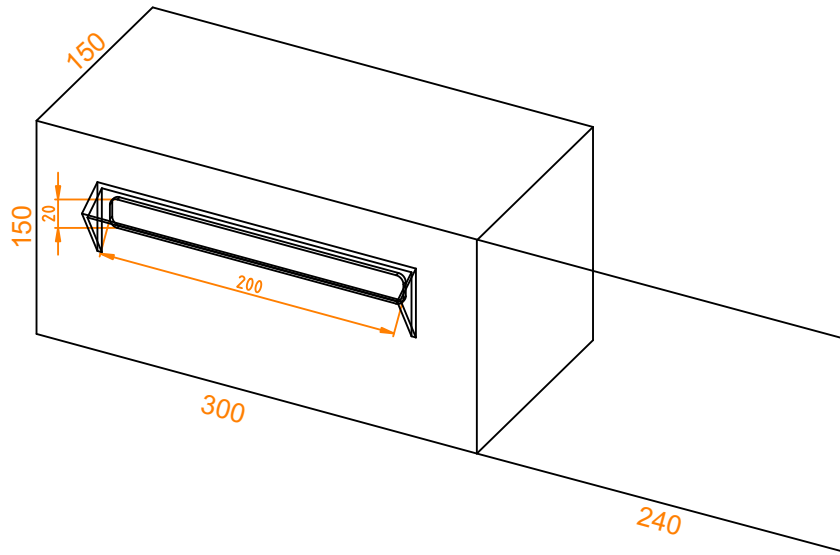
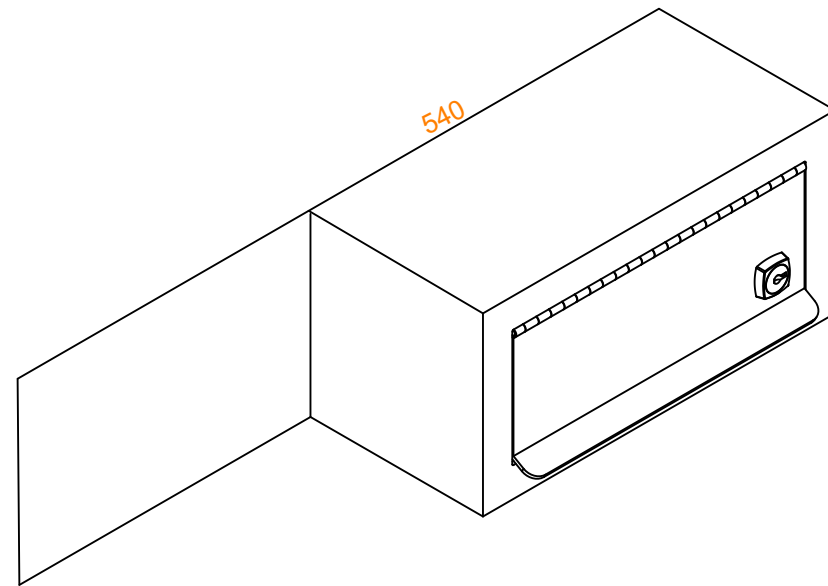


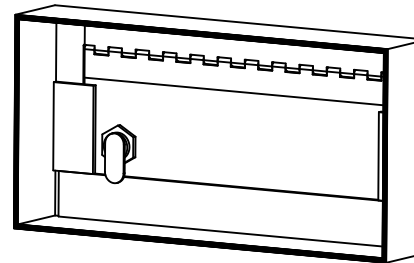
### FRONT VIEW



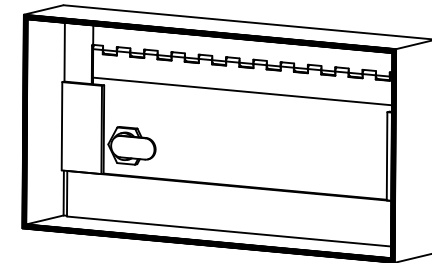
### REAR VIEW



### LOCK MECHANISM



POSITION WHEN LOCKED



POSITION WHEN OPEN



Urban Metalwork +  
Design Studio - Australia  
179 Station St,  
Corio, VIC, 3214  
M| +61 432 590 125  
E | info@urbanmetalwork.com.au  
W| www.urbanmetalwork.com.au

Notes:

1. \*\*\*ALL FOLDS 90 DEGREES\*\*\*
2. ALL DIMENSIONS ARE TO THEORETICAL SHARP.
3. REMOVE BURRS AND BREAK ALL SHARP EDGES .5 MAX.
4. ALL DIMENSIONS ARE IN MM UNLESS STATED OTHERWISE.
5. PARTS SHALL BE FREE OF GREASE AND CUTTING FLUID.

DATE	NAME	SIGNATURE	DATE
06-03-2020	MM		

Drawing Title

**WIDE MAILBOX  
RIGHT HAND SIDE FLANGED**

Size.	Cage Code	Drawing No.	Rev.
	01	100-24-WMB-01	0
SCALE	1:1.75	3RD ANGLE	Sheet 2 of 2